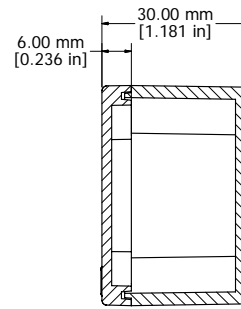
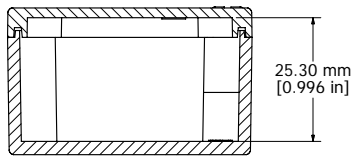
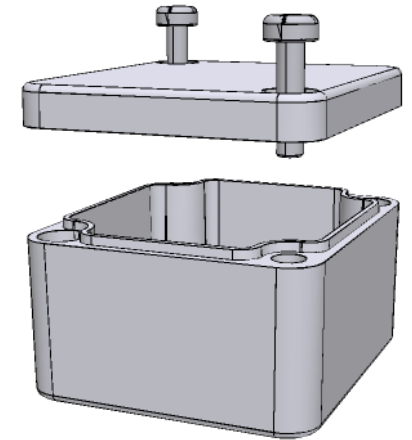


ASSEMBLY

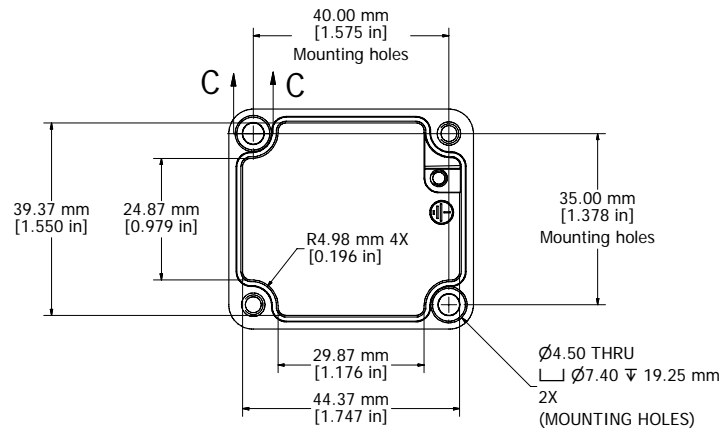


SECTION A-A

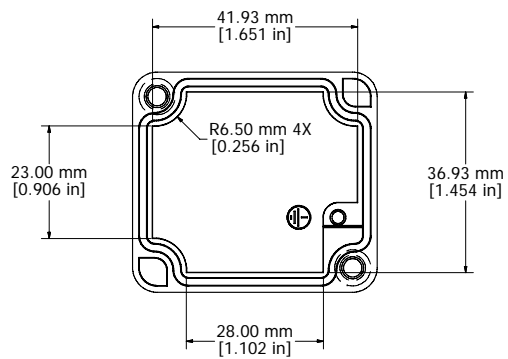
**UL** US LISTED  
File #E65324  
NEMA 4, 4X



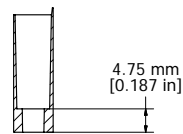
SECTION B-B



BOX - INSIDE



LID - INSIDE



SECTION C-C

Enclosures can be Factory Modified ( Milling, Drilling, Printing etc. )  
Contact Factory mjm@hammondmfg.com for quotes  
Solid models of this enclosure available in STEP or IGES.

**NOTES**

Purchased assembly includes enclosure, M4x15 lid screws and M3x5 ground screws.

Gasket - Pre-formed Silicone Rubber

Cover screws should be torqued to 5-7.5 lbf.in (50-75 cN.m)

**1590Z060**

**PART NUMBERS**

Basic Enclosure	1590Z060
Black Enclosure	1590Z060BK
Grey Enclosure - RAL7001 Gloss	1590Z060GY

**HAMMOND MANUFACTURING™**  
1590Z060  
www.hammondmfg.com